



Soluciones de limpieza para Flexografía,
Rotograbado, impresión Offset



RECYL[®]
GRAPHICS

desde 1989

REnewCYLinder

**TURN
YOUR
ANILOX**

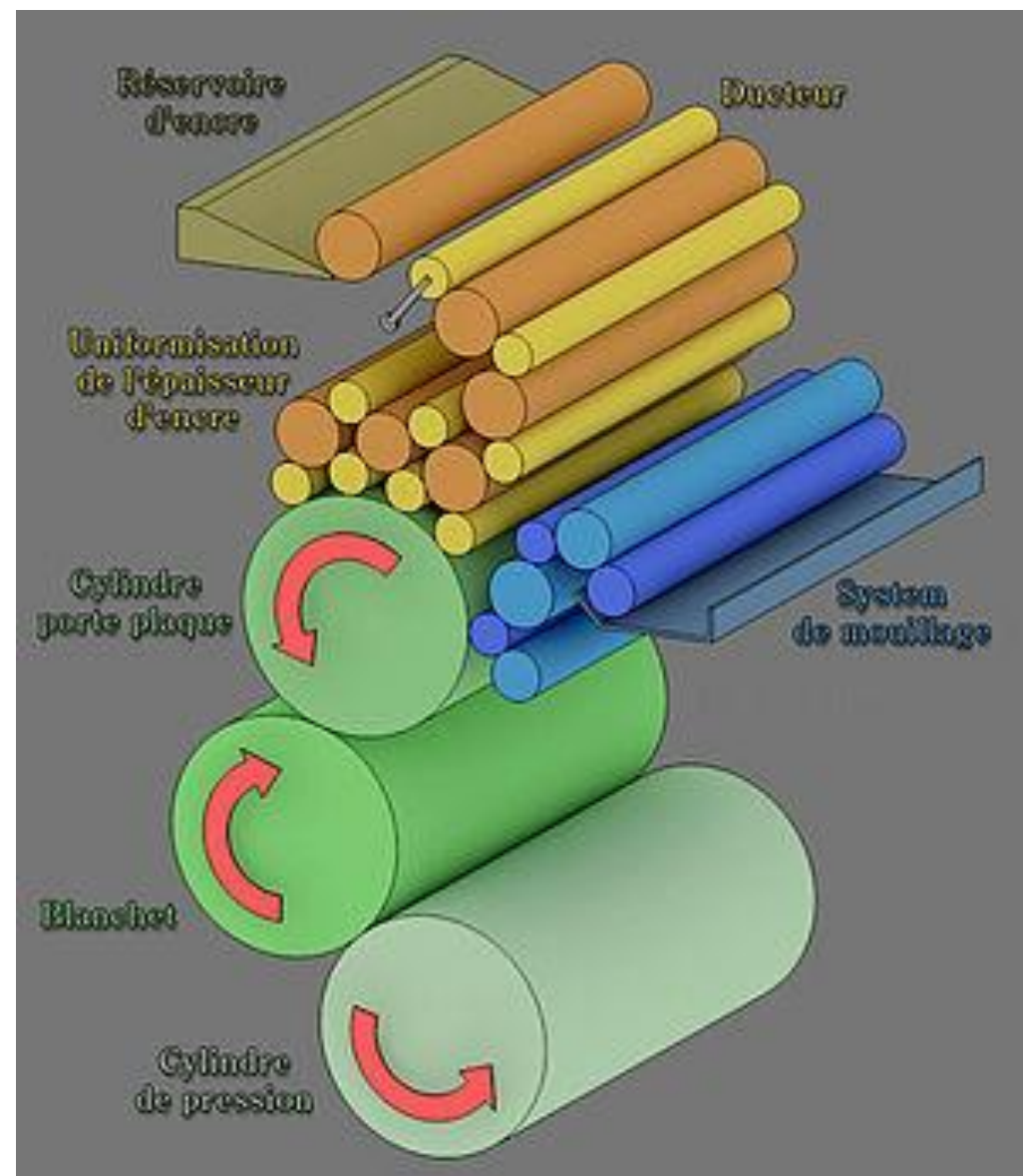


From this

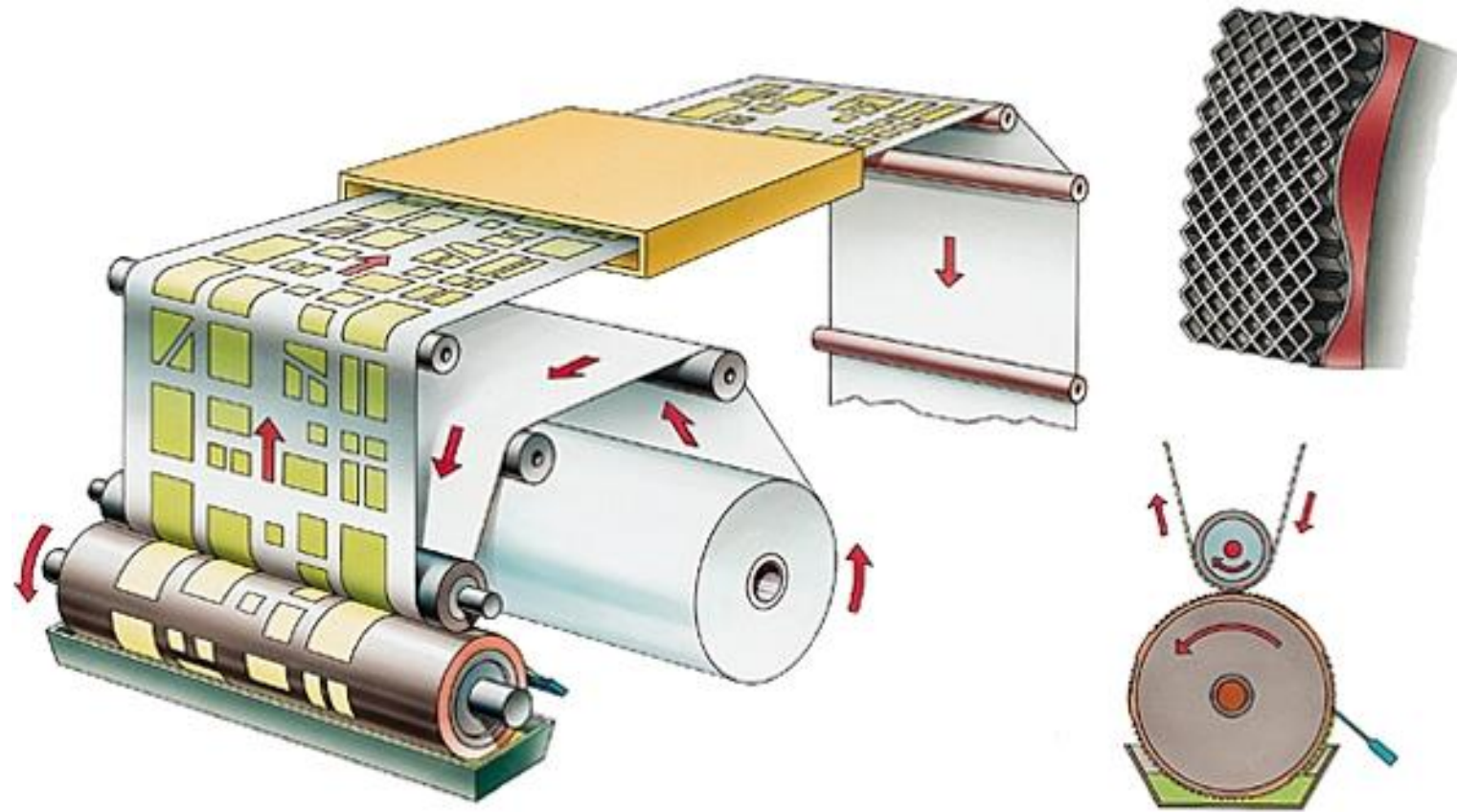


...to this

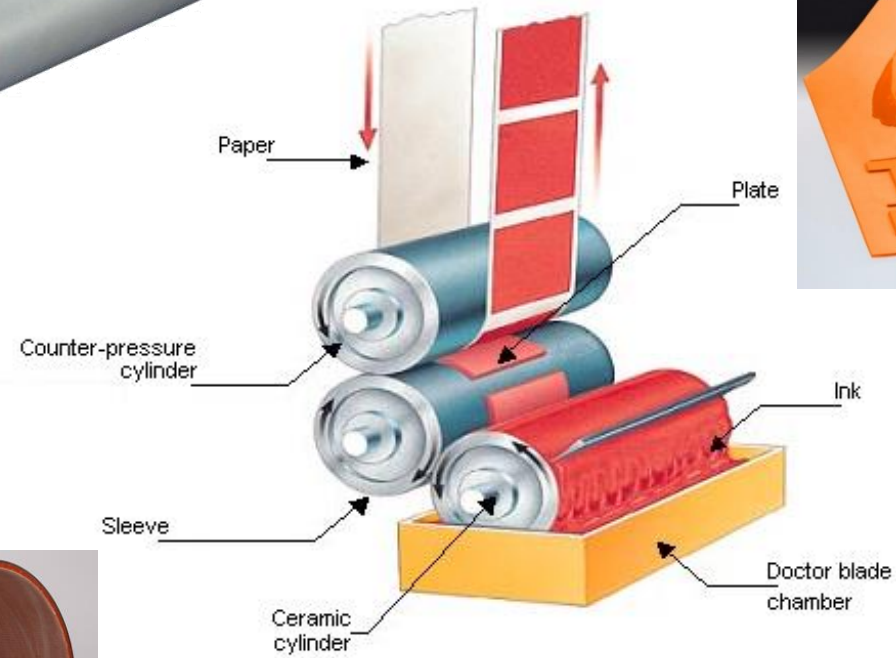
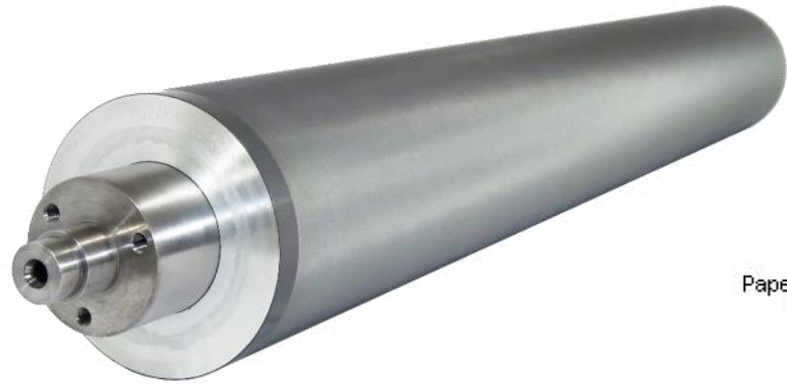
Offset



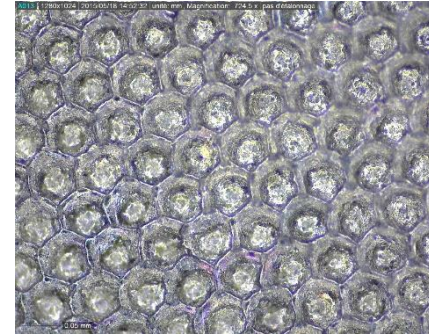
Rotograbado



Desde la limpieza de anilox hasta ...



Soluciones de limpieza... y resultados



Recyl de un vistazo

- Una gama amplia de productos de limpieza adaptados a todo tipo de tintas y acabados
 - 100% seguros para los anilox , cilindros cromados o cliché de polímero
 - Certificados compatibles con el embalaje alimenticio
 - No inflamable, punto elevado de ebullición y de ignición, bajo contenido en VOC
- Fiable and tecnologías comprobadas
 - Asociación con un especialista en tecnologías de ultrasonidos
 - Combinación de 2 acciones: Química y alta presión
- Desarrollo continuo de nuevos productos asegurando:
 - Seguridad de los empleados y lugar de trabajo
 - Respeto del medio ambiente
 - Cumplimiento : Fichas de seguridad con las reglamentaciones en vigor Safety REACH and CLP
- Presencia mundial gracias a nuestra red y cercana colaboración con nuestros distribuidores
- Servicio orientado y atento a nuestros clientes



Soluciones de limpieza



CLEANING IN RECYL MACHINES



	TYPES of INKS	MANUAL CLEANING	ANILOX & SLEEVES			PARTS		PLATES	INKING GROUP	DISTILLATION UNIT
			NEXTWAVE Ultrasonic cleaning	ANILOX SPRAY CLEANER Chemical spray + high pressure rinsing	AC-N Chemical coating + high pressure rinsing	SIMPLEX	FOUNTAIN	CLICHÉ CLEANER	HEATING TANK	
COBRA	VOC FREE				✓					
CLEAN 2000 / CLEAN PLUS	VOC FREE				✓					
W200*	VOC FREE		✓	✓		✓				
NW ALUSAFE	VOC FREE		✓	✓						
FLEXO CIRCULATION CLEANER	VOC FREE								✓	
QW PREMIUM*	VOC FREE						✓	✓	✓	
QW BOOSTER*/BOOSTER PLUS*						✓	✓	✓	✓	
QW FLEX						✓	✓	✓	✓	
QW CLICHÉ							✓	✓		
QW SOLVANT	VOC FREE					✓	✓	✓		
QW SOLVANT PU*						✓	✓	✓		
QW UV	VOC FREE					✓	✓	✓		
CLEAN WATERLESS						✓	✓			
PK WATER PLUS	VOC FREE					✓	✓	✓	✓	
MAGIC'LOX										Anilox, parts & plate cleaning. Shake, spray & wipe...done!
MAGIC'CLICHÉ FG / MAGIC CLICHÉ										Prevent ink build-up on flexo plates. Reduce pressroom downtime.

Soluciones de limpieza

CLEANERS	TYPES of INKS	MANUAL CLEANING	CLEANING MACHINES		
			ANILOX & SLEEVES	PARTS	PLATES
COBRA	VOC FREE	Water-based, Solvent-based, Waterless	Hand		
CLEAN 2000 / CLEAN PLUS	VOC FREE	Water-based, Solvent-based, Waterless	Hand		
W200*	VOC FREE	UV, Water-based, Solvent-based, Waterless			
NW ALUSAFE	VOC FREE	UV, Water-based, Solvent-based, Waterless			
FLEXO CIRCULATION CLEANER	VOC FREE	Water-based			
QW PREMIUM*	VOC FREE	Water-based	Hand		
QW BOOSTER*/BOOSTER PLUS*		UV, Water-based, Solvent-based, Waterless	Hand		
QW FLEX		UV, Water-based, Solvent-based, Waterless	Hand		
QW CLICHÉ		Solvent-based	Hand		
QW SOLVANT	VOC FREE	Solvent-based	Hand		
QW SOLVANT PU*		Solvent-based	Hand		
QW UV	VOC FREE	UV	Hand		
CLEAN WATERLESS		Solvent-based, Waterless	Hand		
PK WATER PLUS	VOC FREE	UV, Water-based, Solvent-based, Waterless	Hand		
MAGIC'LOX		UV, Water-based, Solvent-based, Waterless	Hand		
MAGIC'CLICHÉ FG / MAGIC CLICHÉ		UV, Water-based, Solvent-based, Waterless	Hand		

CLEANING IN RECYL MACHINES							LABELS	FLEXIBLE PACKAGING	CARDBOARD	OFFSET
ANILOX & SLEEVES			PARTS		PLATES		INKING GROUP	DISTILLATION UNIT		
NEXTWAVE	ANILOX SPRAY CLEANER	AC-N	SIMPLEX	FOUNTAIN	CLICHÉ CLEANER	HEATING TANK				
Ultrasonic cleaning	Chemical spray + high pressure rinsing	Chemical coating + high pressure rinsing								
<div data-bbox="1146 357 2229 1049" data-label="Complex-Block"> <p>Tintas UV, base solvente, base agua, offset sin agua</p> </div>										
			✓	✓	✓					
			✓	✓						
			✓	✓	✓					✓
MAGIC'LOX							Anilox, parts & plate cleaning. Shake, spray & wipe...done!			
MAGIC'CLICHÉ FG / MAGIC CLICHÉ							Prevent ink build-up on flexo plates. Reduce pressroom downtime.			

Soluciones de limpieza



	TYPES of INKS	MANUAL CLEANING
COBRA	VOC FREE	
CLEAN 2000 / CLEAN PLUS	VOC FREE	
W200*	VOC FR	
NW ALUSAFE	VOC FR	
FLEXO CIRCULATION CLEANER	VOC FR	
QW PREMIUM*	VOC FR	
QW BOOSTER*/BOOSTER PLUS*		
QW FLEX		
QW CLICHÉ		
QW SOLVANT	VOC FREE	
QW SOLVANT PU*		
QW UV	VOC FREE	
CLEAN WATERLESS		
PK WATER PLUS	VOC FREE	
MAGIC'LOX		
MAGIC'CLICHÉ FG / MAGIC CLICHÉ		



CLEANING IN RECYL MACHINES							
ANILOX & SLEEVES			PARTS		PLATES	INKING GROUP	DISTILLATION UNIT
NEXTWAVE	ANILOX SPRAY CLEANER	AC-N	SIMPLEX	FOUNTAIN	CLICHÉ CLEANER	HEATING TANK	
Ultrasonic cleaning	Chemical spray + high pressure rinsing	Chemical coating + high pressure rinsing					
<p>Kit Cobra</p> <p>Limpeza manual</p>							
			✓	✓	✓		
			✓	✓			
			✓	✓	✓	✓	
<p>Anilox, parts & plate cleaning. Shake, spray & wipe...done!</p> <p>Prevent ink build-up on flexo plates. Reduce pressroom downtime.</p>							

Soluciones de limpieza



TYPES of INKS

MANUAL CLEANING

Disponible en eco-recarga

Product Name	VOC FREE	Green Leaf Icons	Water Icons	Hand Icon
COBRA	VOC FREE	3	3	1
CLEAN 2000 / CLEAN PLUS	VOC FREE	3	3	1
W200*	VOC FREE	4	4	1
NW ALUSAFE	VOC FREE	4	4	1
FLEXO CIRCULATION CLEANER	VOC FREE	1	1	1
QW PREMIUM*	VOC FREE	1	1	1
QW BOOSTER*/BOOSTER PLUS*		2	2	1
QW FLEX		1	1	1
QW CLICHÉ		1	1	1
QW SOLVANT	VOC FREE	1	1	1
QW SOLVANT PU*		1	1	1
QW UV	VOC FREE	1	1	1
CLEAN WATERLESS		2	2	1
PK WATER PLUS	VOC FREE	3	3	1
MAGIC'LOX		3	3	1
MAGIC'CLICHÉ FG / MAGIC CLICHÉ		3	3	1

CLEANING IN RECYL MACHINES



	ANILOX & SLEEVES			PARTS		PLATES	INKING GROUP	DISTILLATION UNIT
	NEXTWAVE <small>Ultrasonic cleaning</small>	ANILOX SPRAY CLEANER <small>Chemical spray + high pressure rinsing</small>	AC-N <small>Chemical coating + high pressure rinsing</small>	SIMPLEX	FOUNTAIN	CLICHÉ CLEANER	HEATING TANK	
	✓	✓	✓	✓	✓	✓	✓	
								✓

Gama QUICK WASH

Para el mantenimiento diario de piezas y clichés

Uso manual o en unidad de impresión.

Anilox, parts & plate cleaning. Shake, spray & wipe...done!

Prevent ink build-up on flexo plates. Reduce pressroom downtime.

Soluciones de limpieza

CLEANERS	TYPES of INKS	MANUAL CLEANING	CLEANING MACHINES		
			ANILOX & SLEEVES	PARTS	PLATES
COBRA	VOC FREE	Water-based, Solvent-based, Waterless	Hand		
CLEAN 2000 / CLEAN PLUS	VOC FREE	Water-based, Solvent-based, Waterless	Hand		
W200*	VOC FREE	Water-based, Solvent-based, Waterless			
NW ALUSAFE	VOC FREE	Water-based, Solvent-based, Waterless			
FLEXO CIRCULATION CLEANER	VOC FREE	Water-based			
QW PREMIUM*	VOC FREE	Water-based	Hand		
QW BOOSTER*/BOOSTER PLUS*		Water-based, Solvent-based	Hand		
QW FLEX		Water-based, Solvent-based	Hand		
QW CLICHÉ		Solvent-based	Hand		
QW SOLVANT	VOC FREE	Solvent-based	Hand		
QW SOLVANT PU*		Solvent-based	Hand		
QW UV	VOC FREE	UV-based	Hand		
CLEAN WATERLESS		Solvent-based, Waterless	Hand		
PK WATER PLUS	VOC FREE	Water-based, Solvent-based, Waterless	Hand		
MAGIC'LOX	↓	Water-based, Solvent-based, Waterless	Hand		
MAGIC'CLICHÉ FG ↓MAGIC CLICHÉ ↓		Water-based, Solvent-based, Waterless	Hand		

CLEANING IN RECYL MACHINES							LABELS	FLEXIBLE PACKAGING	CARDBOARD	OFFSET				
ANILOX & SLEEVES			PARTS		PLATES		INKING GROUP	DISTILLATION UNIT						
NEXTWAVE	ANILOX SPRAY CLEANER	AC-N	SIMPLEX	FOUNTAIN	CLICHÉ CLEANER	HEATING TANK								
Ultrasonic cleaning	Chemical spray + high pressure rinsing	Chemical coating + high pressure rinsing												
<h2>MAGIC LINE</h2> <ul style="list-style-type: none"> • Magic Lox • Magic Cliché / Magic Cliché-FG • Magic Protect 														
				✓	✓	✓								
			✓	✓										
			✓	✓	✓		✓							
Anilox, parts & plate cleaning. Shake, spray & wipe...done!														
Prevent ink build-up on flexo plates. Reduce pressroom downtime.														

Soluciones de limpieza



CLEANING IN RECYL MACHINES



ANILOX & SLEEVES

PARTS

PLATES

INKING GROUP

DISTILLATION UNIT

NEXTWAVE

Ultrasonic cleaning



ANILOX SPRAY CLEANER

Chemical spray + high pressure rinsing



AC-N

Chemical coating + high pressure rinsing



SIMPLEX



FOUNTAIN



CLICHÉ CLEANER



HEATING TANK



DISTILLATION UNIT



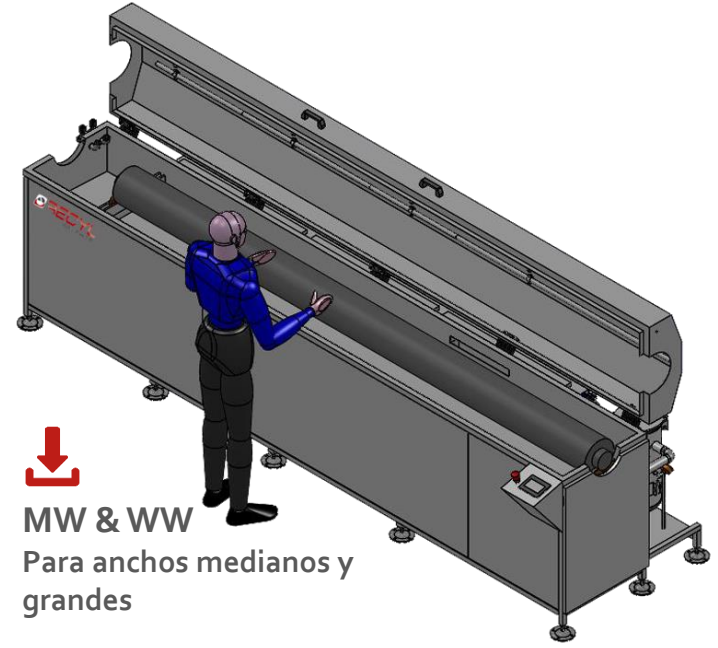
TYPES of INKS

MANUAL CLEANING

COBRA	VOC FREE			
CLEAN 2000 / CLEAN PLUS	VOC FREE			
W200*	VOC FREE			
NW ALUSAFE	VOC FREE			
FLEXO CIRCULATION CLEANER	VOC FREE			
QW PREMIUM*	VOC FREE			
QW BOOSTER*/BOOSTER PLUS*				
QW FLEX				
QW CLICHÉ				
QW SOLVANT	VOC FREE			
QW SOLVANT PU*				
QW UV	VOC FREE			
CLEAN WATERLESS				
PK WATER PLUS	VOC FREE			



NW
Para anchos estrechos



MW & WW
Para anchos medianos y grandes



Tecnología ultrasónica



Anilox, parts & plate cleaning. Shake, spray & wipe...done!



Prevent ink build-up on flexo plates. Reduce pressroom downtime.

MAGIC'LOX				
MAGIC'CLICHÉ FG / MAGIC CLICHÉ				

Soluciones de limpieza



CLEANING IN RECYL MACHINES



ANILOX & SLEEVES

PARTS

PLATES

INKING GROUP

DISTILLATION UNIT

NEXTWAVE



ANILOX SPRAY CLEANER

Chemical spray + high pressure rinsing



AC-N



SIMPLEX



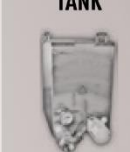
FOUNTAIN



CLICHÉ CLEANER



HEATING TANK



DISTILLATION UNIT



TYPES of INKS

MANUAL CLEANING

COBRA

VOC FREE



CLEAN 2000 / CLEAN PLUS

VOC FREE



W200*

VOC FREE



NW ALUSAFE

VOC FREE



FLEXO CIRCULATION CLEANER

VOC FREE



QW PREMIUM*

VOC FREE



QW BOOSTER*/BOOSTER PLUS*

VOC FREE



QW FLEX

VOC FREE



QW CLICHÉ

VOC FREE



QW SOLVANT

VOC FREE



QW SOLVANT PU*

VOC FREE



QW UV

VOC FREE



CLEAN WATERLESS

VOC FREE



PK WATER PLUS

VOC FREE



MAGIC'LOX

VOC FREE



MAGIC'CLICHÉ FG / MAGIC CLICHÉ

VOC FREE



Pulverización química combinado con un enjuague de alta presión



Anilox, parts & plate cleaning. Shake, spray & wipe...done!

Prevent ink build-up on flexo plates. Reduce pressroom downtime.

Soluciones de limpieza



CLEANING IN RECYL MACHINES



MANUAL CLEANING		ANILOX & SLEEVES	PARTS	PLATES	INKING GROUP	DISTILLATION UNIT
NEXTWAVE Ultrasonic cleaning	ANILOX SPRAY CLEANER Chemical spray + high pressure rinsing	AC-N Chemical coating + high pressure rinsing	SIMPLEX	FOUNTAIN	CLICHÉ CLEANER	HEATING TANK

TYPES of INKS	MANUAL CLEANING	ANILOX & SLEEVES	PARTS	PLATES	INKING GROUP	DISTILLATION UNIT
COBRA	VOC FREE	UV INK, SCREEN-BASED INK, WATER-BASED INK				
CLEAN 2000 / CLEAN PLUS	VOC FREE	UV INK, SCREEN-BASED INK, WATER-BASED INK				
W200*	VOC FREE	UV INK, SCREEN-BASED INK, WATER-BASED INK, EMULSION INK				
NW ALUSAFE	VOC FREE	UV INK, SCREEN-BASED INK, WATER-BASED INK, EMULSION INK				
FLEXO CIRCULATION CLEANER	VOC FREE	WATER-BASED INK				
QW PREMIUM*	VOC FREE	WATER-BASED INK				
QW BOOSTER*/BOOSTER PLUS*		UV INK, WATER-BASED INK				
QW FLEX		UV INK, WATER-BASED INK				
QW CLICHÉ		SCREEN-BASED INK				
QW SOLVANT	VOC FREE	SCREEN-BASED INK				
QW SOLVANT PU*		SCREEN-BASED INK				
QW UV	VOC FREE	UV INK				
CLEAN WATERLESS		SCREEN-BASED INK, WATERLESS INK				
PK WATER PLUS	VOC FREE	UV INK, SCREEN-BASED INK, WATER-BASED INK				



MAGIC'LOX	UV INK, SCREEN-BASED INK, WATER-BASED INK	Hand icon
MAGIC'CLICHÉ FG / MAGIC CLICHÉ	UV INK, SCREEN-BASED INK, WATER-BASED INK	Hand icon

Anilox, parts & plate cleaning. Shake, spray & wipe...done!
Prevent ink build-up on flexo plates. Reduce pressroom downtime.

Soluciones de limpieza



CLEANING IN RECYL MACHINES



ANILOX & SLEEVES

PARTS

PLATES

INKING GROUP

DISTILLATION UNIT

NEXTWAVE

Ultrasonic cleaning



ANILOX SPRAY CLEANER

Chemical spray + high pressure rinsing



AC-N

Chemical coating + high pressure rinsing



SIMPLEX



FOUNTAIN



CLICHÉ CLEANER



HEATING TANK



TYPES of INKS

MANUAL CLEANING

COBRA

VOC FREE



CLEAN 2000 / CLEAN PLUS

VOC FREE



W200*

VOC FREE



NW ALUSAFE

VOC FREE



FLEXO CIRCULATION CLEANER

VOC FREE



QW PREMIUM*

VOC FREE



QW BOOSTER*/BOOSTER PLUS*



QW FLEX



QW CLICHÉ



QW SOLVANT

VOC FREE



QW SOLVANT PU*



QW UV

VOC FREE



CLEAN WATERLESS



PK WATER PLUS

VOC FREE



Pulverización química a presión intermedia. Gama específica con enjuague (con secado opcional)



Anilox, parts & plate cleaning. Shake, spray & wipe...done!

Prevent ink build-up on flexo plates. Reduce pressroom downtime.

Soluciones de limpieza



CLEANING IN RECYL MACHINES



ANILOX & SLEEVES

PARTS

PLATES

INKING GROUP

DISTILLATION UNIT

NEXTWAVE

Ultrasonic cleaning



ANILOX SPRAY CLEANER

Chemical spray + high pressure rinsing



AC-N

Chemical coating + high pressure rinsing



SIMPLEX



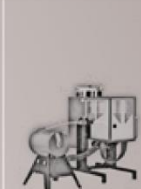
FOUNTAIN



CLICHÉ CLEANER



HEATING TANK



TYPES of INKS

MANUAL CLEANING

COBRA	VOC FREE				
CLEAN 2000 / CLEAN PLUS	VOC FREE				
W200*	VOC FREE				
NW ALUSAFE	VOC FREE				
FLEXO CIRCULATION CLEANER	VOC FREE				
QW PREMIUM*	VOC FREE				
QW BOOSTER*/BOOSTER PLUS*					
QW FLEX					
QW CLICHÉ					
QW SOLVANT	VOC FREE				
QW SOLVANT PU*					
QW UV	VOC FREE				
CLEAN WATERLESS					
PK WATER PLUS	VOC FREE				

Limpieza química manual (con cepillo y ducha)

MAGIC'LOX				
MAGIC'CLICHÉ FG / MAGIC CLICHÉ				

Anilox, parts & plate cleaning. Shake, spray & wipe...done!

Prevent ink build-up on flexo plates. Reduce pressroom downtime.

Soluciones de limpieza



CLEANING IN RECYL MACHINES



ANILOX & SLEEVES

PARTS

PLATES

INKING GROUP

DISTILLATION UNIT

NEXTWAVE

Ultrasonic cleaning



ANILOX SPRAY CLEANER

Chemical spray + high pressure rinsing



AC-N

Chemical coating + high pressure rinsing



SIMPLEX



FOUNTAIN



CLICHÉ CLEANER



HEATING TANK



DISTILLATION UNIT



TYPES of INKS

MANUAL CLEANING

COBRA	VOC FREE			
CLEAN 2000 / CLEAN PLUS	VOC FREE			
W200*	VOC FREE			
NW ALUSAFE	VOC FREE			
FLEXO CIRCULATION CLEANER	VOC FREE			
QW PREMIUM*	VOC FREE			
QW BOOSTER*/BOOSTER PLUS*				
QW FLEX				
QW CLICHÉ				
QW SOLVANT	VOC FREE			
QW SOLVANT PU*				
QW UV	VOC FREE			
CLEAN WATERLESS				
PK WATER PLUS	VOC FREE			




Limpieza química (cepillos), enjuague y secado




MAGIC'LOX			
MAGIC'CLICHÉ FG / MAGIC CLICHÉ			



Anilox, parts & plate cleaning. Shake, spray & wipe...done!

Prevent ink build-up on flexo plates. Reduce pressroom downtime.

Soluciones de limpieza



CLEANING IN RECYL MACHINES



ANILOX & SLEEVES

PARTS

PLATES

INKING GROUP

DISTILLATION UNIT



TYPES of INKS

MANUAL CLEANING

COBRA

VOC FREE



CLEAN 2000 / CLEAN PLUS

VOC FREE



W200*

VOC FREE



NW ALUSAFE

VOC FREE



FLEXO CIRCULATION CLEANER

VOC FREE



QW PREMIUM*

VOC FREE



QW BOOSTER*/BOOSTER PLUS*

VOC FREE



QW FLEX

VOC FREE



QW CLICHÉ

VOC FREE



QW SOLVANT

VOC FREE



QW SOLVANT PU*

VOC FREE



QW UV

VOC FREE



CLEAN WATERLESS

VOC FREE



PK WATER PLUS

VOC FREE



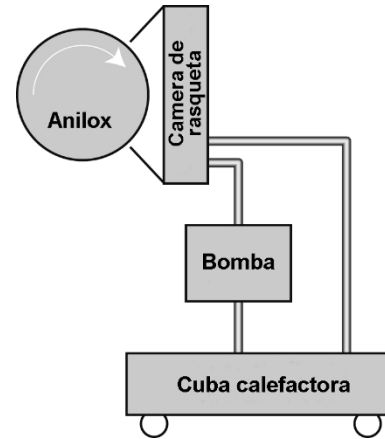
MAGIC'LOX

VOC FREE



MAGIC'CLICHÉ FG / MAGIC CLICHÉ

VOC FREE



Circulación del producto a través del sistema de entintado



Anilox, parts & plate cleaning. Shake, spray & wipe...done!

Prevent ink build-up on flexo plates. Reduce pressroom downtime.

Una amplia gama de accesorios...

Cepillos 	Rasquetas 	Filtro de tinta 	Funda de protección 	Microscopio digital 
 <p data-bbox="275 761 639 858">Acero o latón para los rodillos anilox</p>  <p data-bbox="275 1158 639 1310">Sintético o crin de caballo para los clichés</p>	 <p data-bbox="715 868 988 915"> Sintéticas</p>  <p data-bbox="715 1215 988 1262"> De acero</p>			 



@ Recyl ?



Quick Wash Flex

Para todo uso con las tintas UV y base agua

Clean Waterless

Para piezas contaminadas con tintas offset sin agua, y tintas a base disolventes

Ej: Siegwerk, Zeller Gmelin, Classic Colour & Toka

NW Alusafe

Para rodillos anilox y mangas de aluminio, todo tipo de tintas
Uso en máquinas Recyl de ultrasonidos y de pulverización.

Quick Wash Cliché

Para a limpieza de clichés con tintas base UV/solventes, para uso manual o en máquinas Recyl de lavado de clichés

Glue Remover

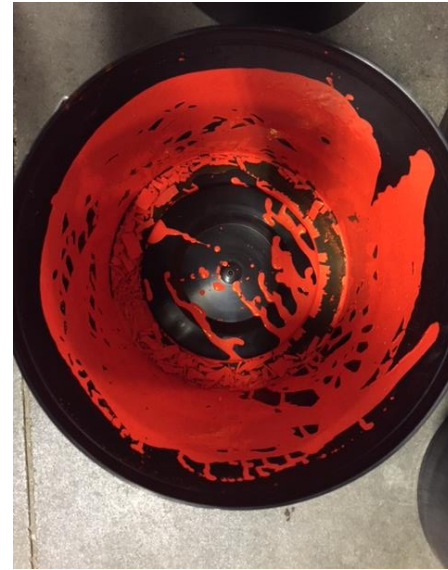
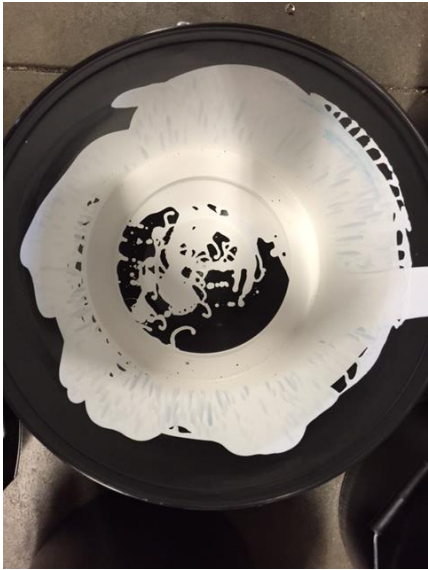
Para solventes, UV, pegamento y resinas, uso manual

Magic Cliché FG

Producto compatible con el embalaje alimenticio



Nueva limpieza del cubo de tinta



Confían en **RECYL**[®] GRAPHICS

Fabricantes de prensas

Fabricantes de tintas

Fabricante de anilox



Narrow Web

Mid Web

Wide Web



Muchas gracias
por su atención

